

P/N: 79302-0101

Copyright

© 2017, FLIR Systems, Inc.

All rights reserved worldwide. Names and marks appearing herein are either registered trademarks or trademarks of FLIR Systems and/or its subsidiaries. All other trademarks, trade names or company names referenced herein are used for identification only and are the property of their respective owners.

Document identity

Publ. No.: 79302-0101

Release:

Commit: 42512

Language: en-US

Modified: 2017-05-08

Formatted: 2017-05-09

Website

<http://www.flir.com>

Customer support

<http://support.flir.com>

Disclaimer

Specifications subject to change without further notice. Camera models and accessories subject to regional market considerations. License procedures may apply. Products described herein may be subject to US Export Regulations. Please refer to exportquestions@flir.com with any questions.



| | |
|---------------------------------|---|
| Imaging and optical data | |
| Infrared resolution | 320 × 240 pixels |
| UltraMax (super-resolution) | In FLIR Tools |
| NETD | <ul style="list-style-type: none"> • <30 mK, 42° @ +30°C (+86°F) • <40 mK, 24° @ +30°C (+86°F) • <50 mK, 14° @ +30°C (+86°F) |
| Field of view | <ul style="list-style-type: none"> • 42° × 32° • 24° × 18° • 14° × 10° |
| Minimum focus distance | <ul style="list-style-type: none"> • 0.15 m (0.49 ft.), 42° • 0.15 m (0.49 ft.), 24° • 1.0 m (3.28 ft.), 14° • Macro mode 103 μm as option to 24° |
| Minimum focus distance with MSX | <ul style="list-style-type: none"> • 0.65 m (2.13 ft.), 42° • 0.5 m (1.64 ft.), 24° • 1.0 m (3.28 ft.), 14° |
| Focal length | <ul style="list-style-type: none"> • 10 mm (0.39 in.), 42° • 17 mm (0.67 in.), 24° • 29 mm (1.41 in.), 14° |
| Spatial resolution (IFOV) | <ul style="list-style-type: none"> • 2.41 mrad/pixel, 42° • 1.31 mrad/pixel, 24° • 0.75 mrad/pixel, 14° |
| Available extra lenses | <ul style="list-style-type: none"> • 42° • 14° |
| Lens identification | Automatic |
| f number | <ul style="list-style-type: none"> • 1.1, 42° • 1.3, 24° • 1.5, 14° |
| Image frequency | 30 Hz |
| Focus | <ul style="list-style-type: none"> • Continuous LDM • One-shot LDM • One-shot contrast • Manual |



FLIR T530 24°

P/N: 79302-0101

© 2017, FLIR Systems, Inc.

#79302-0101; r. /42512; en-US

| Imaging and optical data | |
|---|--|
| Field of view match | Yes |
| Digital zoom | 1–4x continuous |
| Detector data | |
| Focal plane array/spectral range | Uncooled microbolometer/7.5–14 μm |
| Detector pitch | 17 μm |
| Image presentation | |
| Resolution | 640 × 480 pixels (VGA) |
| Surface brightness (cd/m ²) | 400 |
| Screen size | 4 in. |
| Viewing angle | 80° |
| Color depth (bits) | 24 |
| Aspect ratio | 4:3 |
| Auto-rotation | Yes |
| Touchscreen | Optically bonded PCAP |
| Display technology | IPS |
| Cover glass material | Dragontrail® |
| Programmable buttons | 2 |
| Viewfinder | No |
| Image adjustment | <ul style="list-style-type: none"> • Automatic • Automatic maximum • Automatic minimum • Manual |
| Image presentation modes | |
| Infrared image | Yes |
| Visual image | Yes |
| MSX | Yes |
| Picture in picture | Resizable and movable |
| Gallery | Yes |
| Measurement | |
| Object temperature range | <ul style="list-style-type: none"> • –20 to +120°C (–4 to +248°F) • 0–650°C (32–1202°F) • Optional: 300–1200°C (572–2200°F) |
| Accuracy | ±2°C (±3.6°F) or ±2% of reading, for ambient temperature 15–35°C (59–95°F) and object temperature above 0°C (32°F) |
| Measurement analysis | |
| Spotmeter | 3 in live mode |
| Area | 3 in live mode |
| Automatic hot/cold detection | Automatic maximum/minimum markers within area |
| Color alarm (Isotherm) | <ul style="list-style-type: none"> • Above • Below • Interval • Condensation • Insulation |

P/N: 79302-0101

© 2017, FLIR Systems, Inc.

#79302-0101; r. /42512; en-US

| Measurement analysis | |
|-------------------------------------|---|
| Measurement presets | <ul style="list-style-type: none"> No measurements Center spot Hot spot Cold spot User preset 1 User preset 2 |
| Difference temperature | Yes |
| Reference temperature | Yes |
| Emissivity correction | Yes, variable from 0.01 to 1.0 or selected from materials list |
| Measurement corrections | Yes |
| External optics/windows correction | Yes |
| Screening | 0.5°C (0.9°F) accuracy at 37°C (98.6°F) with reference |
| Alarm | |
| Moisture alarm | Yes |
| Insulation alarm | Yes |
| Measurement alarm | Audible/visual alarms above/below |
| Set-up | |
| Color palettes | <ul style="list-style-type: none"> Iron Gray Rainbow Arctic Lava Rainbow HC |
| Setup commands | Local adaptation of units, language, date, and time formats |
| Languages | 21 |
| Service functions | |
| Camera software update | Use PC software FLIR Tools |
| Storage of images | |
| Storage media | Removable memory: SD card |
| Time lapse (Periodic image storage) | 10 seconds to 24 hours (infrared) |
| Remote control operation | <ul style="list-style-type: none"> Using FLIR Tools (using USB cable) FLIR Tools Mobile (over Wi-Fi) |
| Image file format | Standard JPEG, measurement data included. Infrared-only mode |
| Image annotations | |
| Voice | 60 seconds with built-in microphone and speaker (and via Bluetooth) on still images and video |
| Text | Text from predefined list or soft keyboard on touchscreen |
| Visual image annotation | Yes |
| Image sketch | Yes: on infrared only |
| Sketch | From touchscreen |
| METERLINK | Yes, several readings |



FLIR T530 24°

P/N: 79302-0101

© 2017, FLIR Systems, Inc.

#79302-0101; r. /42512; en-US

| | |
|---|---|
| Image annotations | |
| Area measurement information | Yes |
| GPS | Location data automatically added to every still image and first frame in video from built-in GPS |
| Video recording in camera | |
| Radiometric infrared-video recording | RTRR (.csq) |
| Non-radiometric infrared-video recording | H.264 to memory card |
| Visual video recording | H.264 to memory card |
| Video streaming | |
| Radiometric infrared-video streaming (compressed) | Over UVC or RTSP (Wi-Fi) |
| Non-radiometric video streaming (compressed: IR, MSX, visual, Picture in Picture) | <ul style="list-style-type: none"> • H.264 (AVC) over RTSP (Wi-Fi) • MPEG4 over RTSP (Wi-Fi) • MJPEG over UVC and RTSP (Wi-Fi) |
| Visual video streaming | Yes |
| Digital camera | |
| Resolution | 5 MP with LED light |
| Focus | Fixed |
| Field of view | 53° × 41° |
| Video lamp | Built-in LED light |
| Laser pointer | |
| Laser alignment | Position is automatically displayed on the infrared image |
| Laser distance meter | Activated by dedicated button |
| Laser | Class 2, 0.05–40 m (1.6–130 ft.) ±1% of measured distance |
| Data communication interfaces | |
| Interfaces | USB 2.0, Bluetooth, Wi-Fi, DisplayPort |
| Bluetooth | Communication with headset and external sensors |
| Wi-Fi | Peer to peer (ad hoc) or infrastructure (network) |
| Audio | Microphone and speaker for voice annotation of images |
| USB | USB Type-C: data transfer/video/power |
| USB standard | USB 2.0 High Speed |
| Video out | DisplayPort |
| Video connector type | DisplayPort over USB Type-C |
| Power system | |
| Battery type | Rechargeable Li-ion battery |
| Battery voltage | 3.6 V |
| Battery operating time | > 4 hours at 25°C (68°F) with typical use |
| Charging system | In camera (AC adapter or 12 V from a vehicle) or two-bay charger |
| Charging time (using two-bay charger) | 3.5 h to 90% capacity, on-screen indicator |



FLIR T530 24°

P/N: 79302-0101

© 2017, FLIR Systems, Inc.

#79302-0101; r. /42512; en-US

| Power system | |
|----------------------------------|--|
| External power operation | AC adapter 90–260 V AC (50/60 Hz) or 12 V from a vehicle (cable with standard plug, optional) |
| Power management | Automatic shut-down and sleep mode |
| Environmental data | |
| Operating temperature range | –15 to +50°C (5–122°F) |
| Storage temperature range | –40 to +70°C (–40 to 158°F) |
| Humidity (operating and storage) | IEC 60068-2-30/24 hours, 95% relative humidity, 25–40°C (77–104°F)/2 cycles |
| EMC | <ul style="list-style-type: none">• ETSI EN 301 489-1 (radio)• ETSI EN 301 489-17• EN 61000-6-2 (immunity)• EN 61000-6-3 (emission)• FCC 47 CFR Part 15 Class B (emission) |
| Radio spectrum | <ul style="list-style-type: none">• ETSI EN 300 228• FCC Part 15.249• RSS-247 |
| Encapsulation | IP 54 (IEC 60529) |
| Shock | 25g (IEC 60068-2-27) |
| Vibration | 2g (IEC 60068-2-6) |
| Safety | EN/UL/CSA/PSE 60950-1 |
| Physical data | |
| Weight (including battery) | 1.3 kg (2.9 lb.) |
| Size (L × W × H) | <ul style="list-style-type: none">• Lens vertical: 140 × 201.3 × 84.1 mm (5.5 × 7.9 × 3.3 in.)• Lens horizontal: 140 × 201.3 × 167.3 mm (5.5 × 7.9 × 6.6 in.) |
| Battery weight | 195 g (6.89 oz.) |
| Battery size (L × W × H) | 59 × 66 × 94 mm (2.3 × 2.6 × 3.7 in.) |
| Tripod mounting | UNC ¼"-20 |
| Housing material | PCABS with TPE, magnesium |
| Color | Black |
| Warranty and service | |
| Warranty | http://www.flir.com/warranty/ |

P/N: 79302-0101

© 2017, FLIR Systems, Inc.

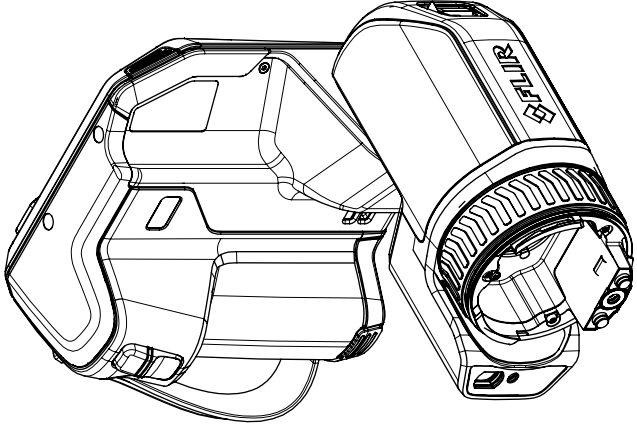
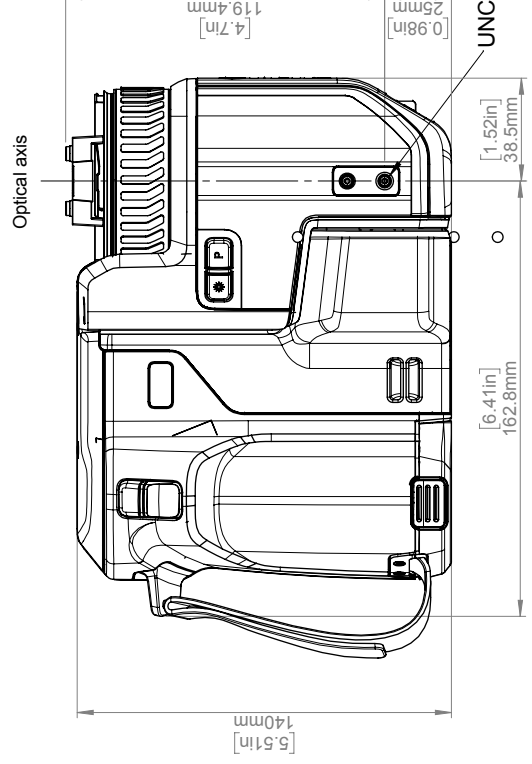
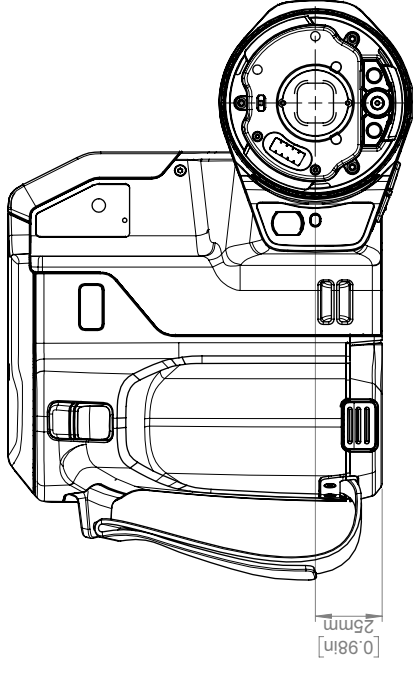
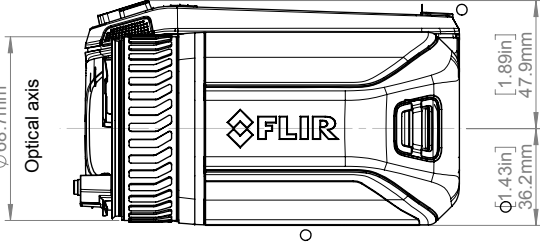
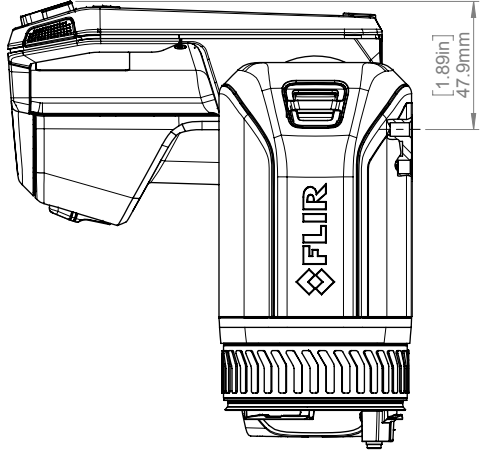
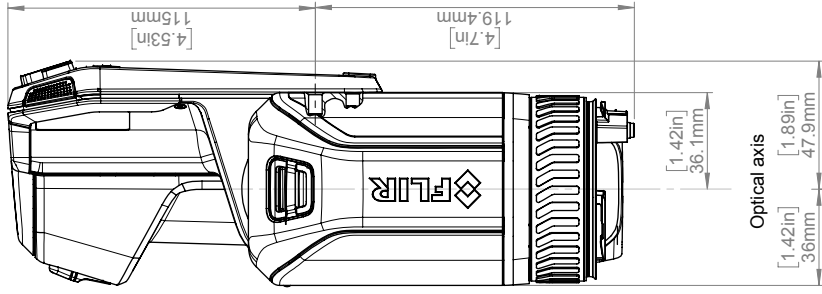
#79302-0101; r. /42512; en-US

| Shipping information | |
|----------------------|---|
| Packaging, type | Cardboard box |
| Packaging, contents | <ul style="list-style-type: none"> • Accessory box I: <ul style="list-style-type: none"> ◦ Power supply for battery charger ◦ Power supply, 15 W/3 A ◦ Printed documentation ◦ SD card (8 GB) ◦ USB 2.0 A to USB Type-C cable, 1.0 m ◦ USB Type-C to HDMI adapter, standard specification UH311 ◦ USB Type-C to USB Type-C cable (USB 2.0 standard), 1.0 m • Accessory box II: <ul style="list-style-type: none"> ◦ Lanyard strap, battery charger ◦ Lens cap strap ◦ Lens cleaning cloth ◦ Neck strap • Battery (2 ea) • Battery charger • Hard transport case • Infrared camera with lens • Lens cap, front • Lens cap, front and rear (only for extra lenses) |
| Packaging, weight | |
| Packaging, size | 500 × 190 × 370 mm (19.7 × 7.5 × 14.6 in.) |
| EAN-13 | 7332558012925 |
| UPC-12 | 845188014612 |
| Country of origin | Sweden and/or Estonia |

Supplies and accessories:

- T198495; Pouch for FLIR T6xx and T4xx series
- T911705ACC; USB Type-C to USB Type-C cable (USB 2.0 standard), 1.0 m
- T911632ACC; USB Type-C to HDMI adapter, standard specification UH311
- T911631ACC; USB 2.0 A to USB Type-C cable, 0.9 m
- T911630ACC; Power supply for camera, 15 W/3 A
- T911633ACC; Power supply for battery charger
- T199610; Battery charger
- T199300ACC; Battery
- T199601; Hand strap and neck strap
- T199347ACC; Hard transport case
- T199616; High temperature option, +300 to +1200°C
- T198583; FLIR Tools+ (download card incl. license key)

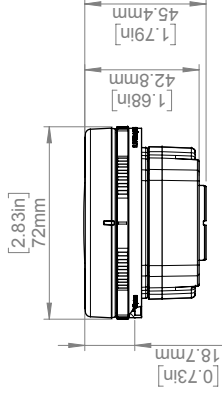
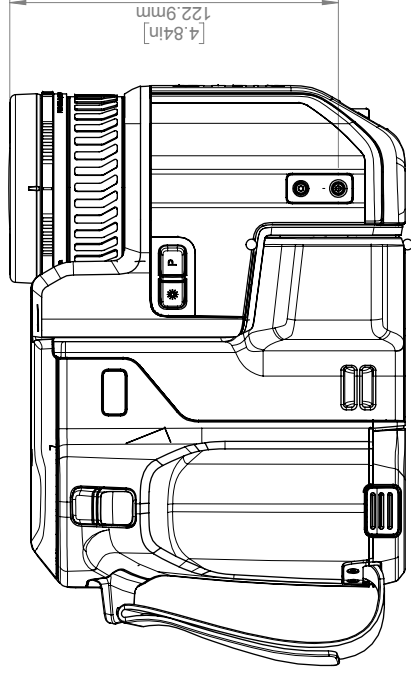
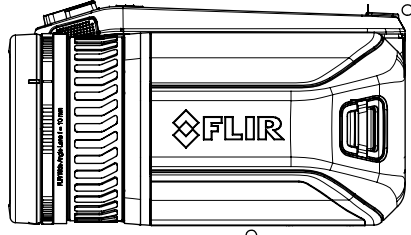
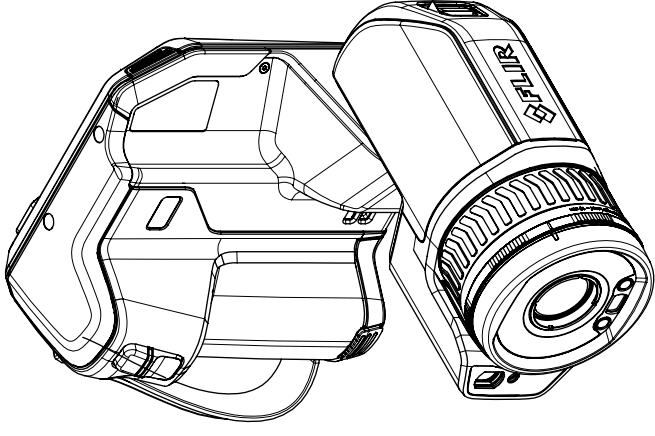
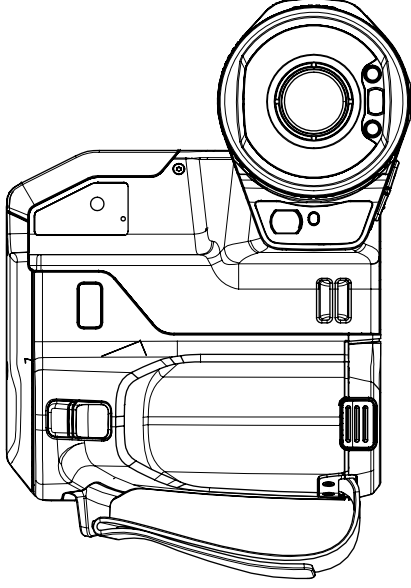
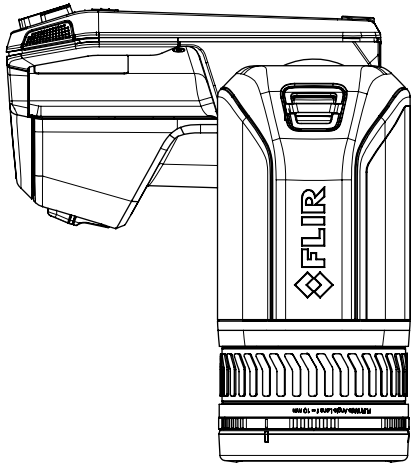
Camera housing



© 2016, FLIR Systems, Inc. All rights reserved worldwide. No part of this drawing may be reproduced, stored in a retrieval system, or transmitted in any form, or by any means, electronic, mechanical, photocopying, recording, or otherwise, without written permission from FLIR Systems, Inc. Specifications subject to change without further notice. Dimensional data is based on nominal values. License procedures may apply. Product may be subject to US Export Regulations. Please refer to exportrequest@flir.com with any questions. Diversion contrary to US law is prohibited.

| | | | | | | | | | |
|----------------------------|------------|-------|---|----------|-----------------|-------|-----|-------------|---------|
| Modified | 2017-02-17 | Check | - | Drawn by | R&D Instruments | Size | A3 | FLIR | |
| Denomination | | | | | | Scale | 1:2 | Sheet | 1(3) |
| | | | | | | | | Drawing No. | T129991 |
| | | | | | | | | Rev | A |
| Basic dimensions FLIR T5xx | | | | | | | | | |

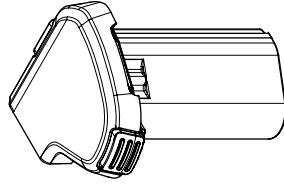
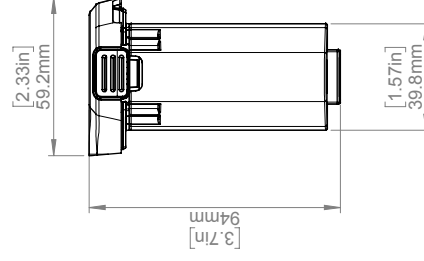
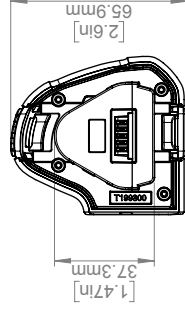
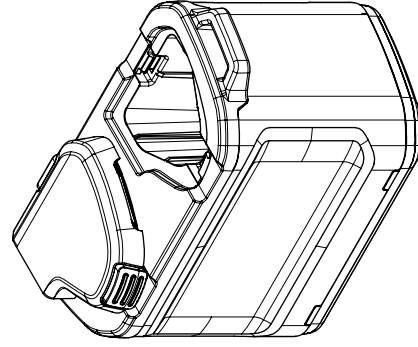
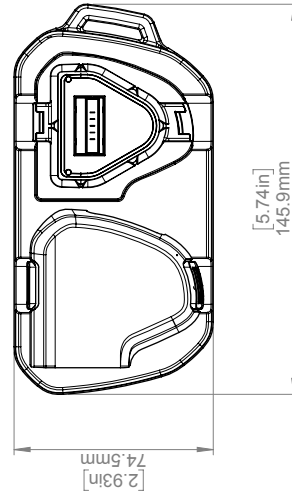
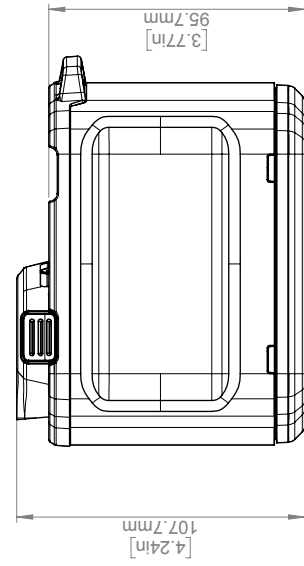
Camera with Lens IR f=10mm (42°)
 Camera with Lens IR f=17mm (24°)
 Camera with Lens IR f=29mm (14°)



For additional dimensions see page 1

| | | | |
|----------------------------|-------|-----------------------------|------------------------|
| Modified 2017-02-17 | Check | Drawn by R&D Instruments | FLIR |
| Denomination | | Size A3 | Sheet 2(3) |
| Basic dimensions FLIR T5xx | | | Rev A |
| | | Scale 1:5 | Drawing No. T129991 |

Battery Charger



| | | | |
|----------------------------|------------|-----------------------------|---------------|
| Modified 2017-02-17 | Check - | Drawn by R&D Instruments | Size A3 |
| Denomination | | Scale 1:5 | Sheet 3(3) |
| Basic dimensions FLIR T5xx | | Drawing No. T129991 | Rev A |

