

FLIR A35 f=9 mm with SC kit

P/N: 73309-0102

Copyright

© 2016, FLIR Systems, Inc.

All rights reserved worldwide. Names and marks appearing herein are either registered trademarks or trademarks of FLIR Systems and/or its subsidiaries. All other trademarks, trade names or company names referenced herein are used for identification only and are the property of their respective owners.

Document identity

Publ. No.: 73309-0102
 Release:
 Commit: 35207
 Language: en-US
 Modified: 2016-04-27
 Formatted: 2016-04-28

Website

<http://www.flir.com>

Customer support

<http://support.flir.com>

Disclaimer

Specifications subject to change without further notice. Camera models and accessories subject to regional market considerations. License procedures may apply. Products described herein may be subject to US Export Regulations. Please refer to exportquestions@flir.com with any questions.



General description	
<p>The FLIR A35 has features and functions that make it the natural choice for anyone who uses PC software to solve problems and for whom 320 × 256 pixel resolution is sufficient.</p> <p>Among its main features are GigE Vision and GenICam compliance, which makes it plug-and-play when used with software packages such as IMAQ Vision and Halcon.</p>	
<p>Key features:</p> <ul style="list-style-type: none"> • Very affordable. • Compact (40 mm × 43 mm × 106 mm). • GigE Vision and GenICam compliant. • GigE Vision lockable connector. • PoE (power over Ethernet). • 8-bit 320 × 256 pixel images streamed at 60 Hz, signal linear. • 14-bit 320 × 256 pixel images streamed at 60 Hz, signal and temperature linear. • High frame rates (60 Hz). • Synchronization between cameras possible. • 1x+1x GPIO. • Compliant with any software that supports GenICam, including National Instruments IMAQ Vision, Stemmers Common Vision Blox, and COGNEX Vision Pro. 	
<p>Typical applications:</p> <ul style="list-style-type: none"> • Automation and thermal machine vision. • Entry level “high-speed” R&D. 	
Imaging and optical data	
IR resolution	320 × 256 pixels
Thermal sensitivity/NETD	< 0.05°C @ +30°C (+86°F) / 50 mK
Field of view (FOV)	48° × 39°
Focal length	9 mm (0.35 in.)
Spatial resolution (IFOV)	2.78 mrad
F-number	1.25
Image frequency	60 Hz
Focus	Fixed
Detector data	
Detector type	Focal plane array (FPA), uncooled VOX microbolometer
Spectral range	7.5–13 μm
Detector pitch	25 μm
Detector time constant	Typical 12 ms

P/N: 73309-0102

© 2016, FLIR Systems, Inc.

#73309-0102; r. /35207; en-US

Measurement	
Object temperature range	<ul style="list-style-type: none"> -25 to +135°C (-13 to 275°F) -40 to +550°C (-40 to +1022°F)
Accuracy	±5°C (±9°F) or ±5% of reading

Measurement analysis	
Atmospheric transmission correction	Automatic, based on inputs for distance, atmospheric temperature and relative humidity
Optics transmission correction	Automatic, based on signals from internal sensors
Emissivity correction	Variable from 0.5 to 1.0
Reflected apparent temperature correction	Automatic, based on input of reflected temperature
External optics/windows correction	Automatic, based on input of optics/window transmission and temperature
Measurement corrections	Global object parameters


Ethernet	
Ethernet	Control and image
Ethernet, type	Gigabit Ethernet
Ethernet, standard	IEEE 802.3
Ethernet, connector type	RJ-45
Ethernet, communication	GigE Vision ver. 1.2 Client API GenICam compliant
Ethernet, image streaming	8-bit monochrome @ 60 Hz <ul style="list-style-type: none"> Signal linear/ DDE Automatic/ Manual Flip H&V 14-bit 320 × 256 pixels @ 60 Hz <ul style="list-style-type: none"> Signal linear/ DDE Temperature linear GigE Vision and GenICam compatible
Ethernet, power	Power over Ethernet, PoE IEEE 802.3af class 0 Power
Ethernet, protocols	TCP, UDP, ICMP, IGMP, DHCP, GigEVision

Digital input/output	
Digital input, purpose	General purpose
Digital input	1× opto-isolated, "0" <1.2 VDC, "1" = 2–25 VDC.
Digital output, purpose	General purpose output to ext. device (programmatically set)
Digital output	1× opto-isolated, 2–40 VDC, max. 185 mA
Digital I/O, isolation voltage	500 VRMS
Digital I/O, supply voltage	2–40 VDC, max. 200 mA
Digital I/O, connector type	12-pole M12 connector (shared with Digital synchronization and External power)
Synchronization in, purpose	Frame synchronization in to control camera
Synchronization in	1×, non-isolated
Synchronization in, type	LVC Buffer @3.3V, "0" <0.8 V, "1">2.0 V.
Synchronization out, purpose	Frame synchronization out to control another FLIR Ax5 camera

P/N: 73309-0102

© 2016, FLIR Systems, Inc.

#73309-0102; r. /35207; en-US

Digital input/output	
Synchronization out	1x, non-isolated
Synchronization out, type	LVC Buffer @ 3.3V, "0"=24 MA max, "1"= -24 mA max.
Digital synchronization, connector type	12-pole M12 connector (shared with Digital I/O and External power)
Power system	
External power operation	12/24 VDC, < 3.5 W nominal < 6.0 W absolute max.
External power, connector type	12-pole M12 connector (shared with Digital I/O and Digital Synchronization)
Voltage	Allowed range 10–30 VDC
Environmental data	
Operating temperature range	-15°C to +50°C (+5°F to +122°F)
	<div style="border: 1px solid black; padding: 5px;"> <p> NOTE</p> <p>The operating temperature range assumes that the camera is mounted on the base support (included in the package) or a similar type of heatsink.</p> </div>
Storage temperature range	-40°C to +70°C (-40°F to +158°F)
Humidity (operating and storage)	IEC 60068-2-30/24 h 95% relative humidity +25° C to +40°C (+77°F to +104°F)
EMC	<ul style="list-style-type: none"> • EN 61000-6-2 (Immunity) • EN 61000-6-3 (Emission) • FCC 47 CFR Part 15 Class B (Emission)
Encapsulation	IP 40 (IEC 60529) with base support mounted
Shock	25 g (IEC 60068-2-27)
Vibration	2 g (IEC 60068-2-6)
Physical data	
Weight	0.200 kg (0.44 lb.)
Camera size (L x W x H)	106 x 40 x 43 mm (4.2 x 1.6 x 1.7 in.)
Tripod mounting	UNC ¼"-20 (on three sides)
Base mounting	4 x M3 thread mounting holes (bottom)
Housing material	Magnesium and aluminum
Shipping information	
Packaging, type	Cardboard box
List of contents	<ul style="list-style-type: none"> • Hard transport case • Infrared camera with lens • Base support • Cable tie (2 ea.) • Ethernet cable CAT-6, 2m/6.6 ft (2 ea.) • FLIR ResearchIR Standard 4 • Focus adjustment tool • Gooseneck • Mains cable kit (UK,EU,US) • PoE Injector (power over Ethernet) • Printed documentation • Table stand
Packaging, weight	



FLIR A35 f=9 mm with SC kit

P/N: 73309-0102

© 2016, FLIR Systems, Inc.

#73309-0102; r. /35207; en-US

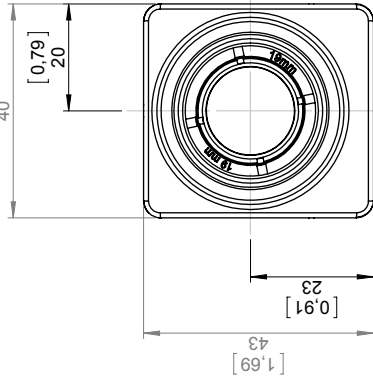
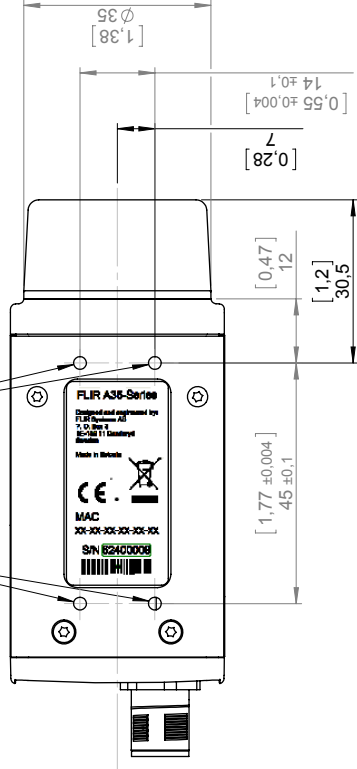
Shipping information	
Packaging, size	370 × 180 × 320 mm (14.6 × 7.1 × 12.6 in.)
EAN-13	7332558010570
UPC-12	845188011246
Country of origin	Sweden

Supplies & accessories:

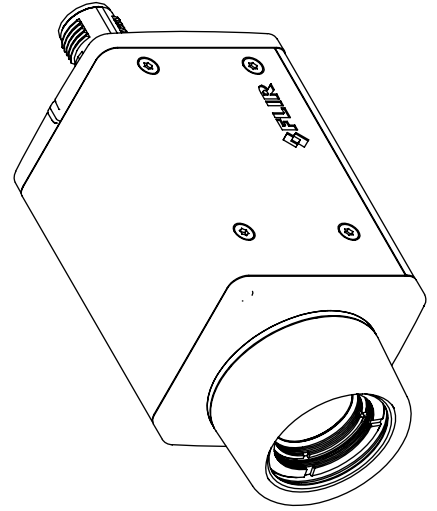
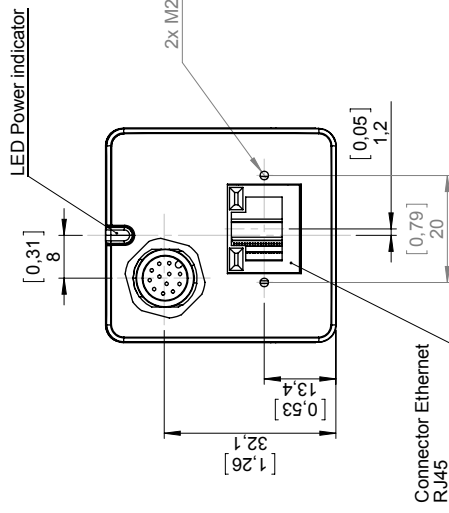
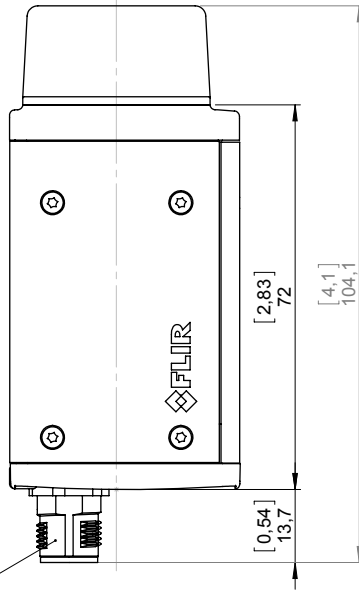
- T951004ACC; Ethernet cable CAT6, 2 m/6.6 ft.
- T198349; Base support
- T198348; Cable kit Mains (UK,EU,US)
- T198392; Table stand kit
- T911183; Gigabit PoE injector 16 W, with multi-plugs
- T127605ACC; Cable M12 Pigtail
- T127606ACC; Cable M12 Sync
- T198594ACC; Transport case Ax5
- T198584; FLIR Tools
- T198583; FLIR Tools+ (download card incl. license key)
- DSW-10000; FLIR IR Camera Player
- T199233; FLIR Atlas SDK for .NET
- T199234; FLIR Atlas SDK for MATLAB

Basic dimensions
for cameras with
focal length:
f= 7,5 mm
f= 9 mm
f=13 mm
f=19 mm

4x M3
Depth max 4 mm



Connector GP I/O
M12 12-pin



FLIR		Material	
Konstr/Drawn P. MARCUS		-	
Datum/Date 2014-01-29		Kontr/Check MABR	
Ändrad av/Modified by P. MARCUS		Ytbehandling/Roughness Ra	
Gen tol ISO 2768-mK		Benämning/Denomination µm	
Utdrag ur/except from ISO 2768-m		Ytbehandling/Surface treatment	
0.5-6 ±0.1 Hållarsradier		Ra	
(6)-30 ±0.2 Fillet radii		Ra	
(120)-400 ±0.5 Kanter brutna		Ra	
(-400)-1000 ±0.8 Edges broken		Ra	
Scale/Scale 1:1		Sheet/Sheet 1(7)	
Rev A		Size A3	
Title/Title Basic dimensions Ax5 f=7.5 mm to f=100 mm		Ritm nr/Drawing No T128116	

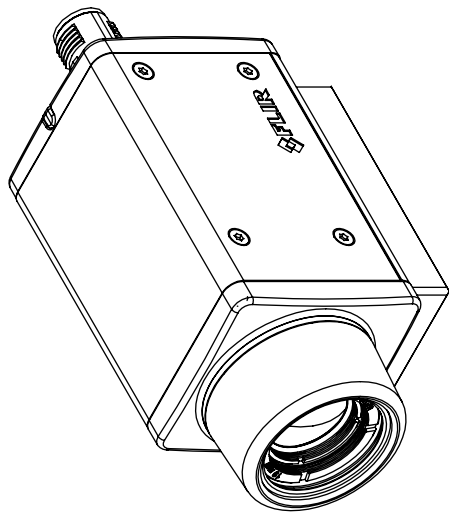
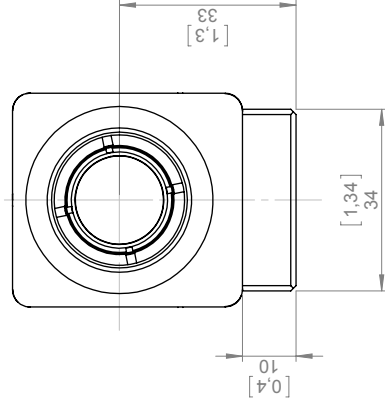
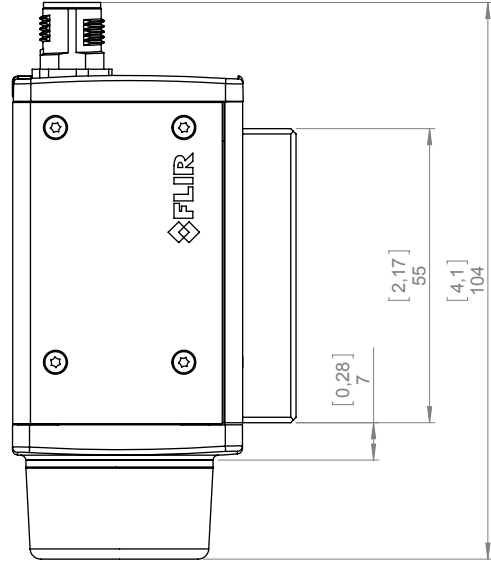
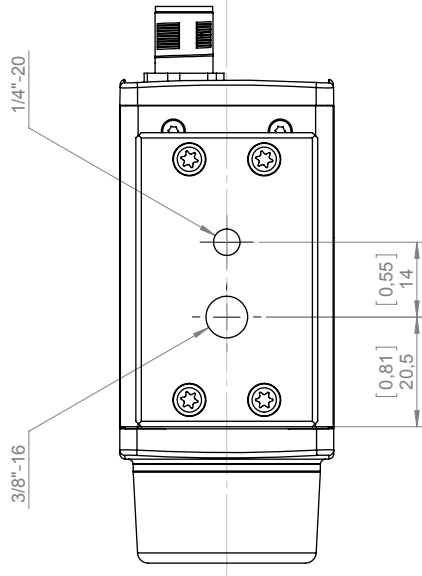
1 2 3 4 5 6 7 8 9 10

A B C D E F G

1 2 3 4 5

This document must not be communicated or copied completely or in part, without our permission. FLIR SYSTEMS AB. Överträdelser härav beivras med stöd av gällande lag. Denna handling får ej delges annan, kopieras, spridas eller delas ut till annat företag. FLIR SYSTEMS AB

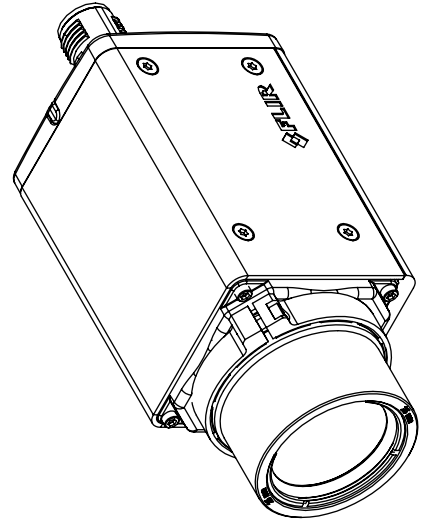
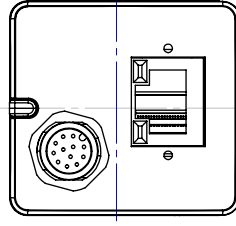
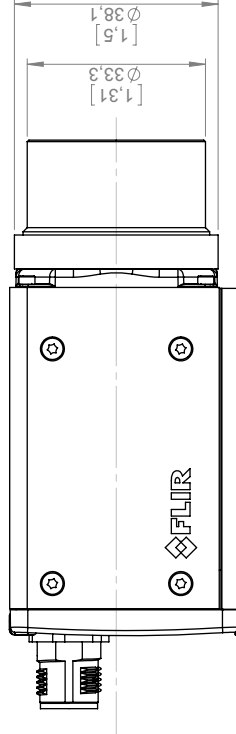
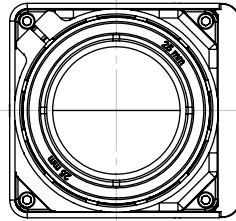
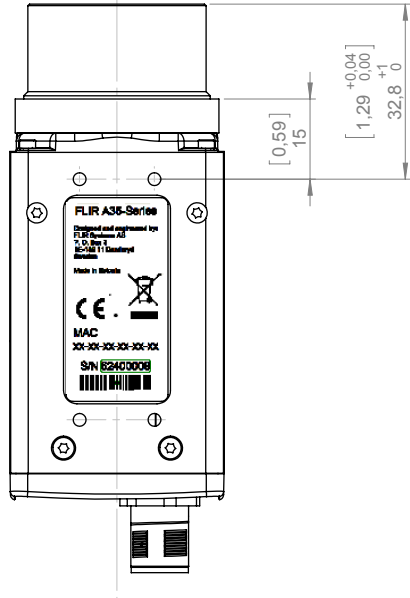
Basic dimensions for
add-on base support



Konstr/Drawn P. MARCUS	Datum/Date 2014-01-29	Kontr/Check MABR	Material -
Ändrad av/Modified by P. MARCUS	Ändrad/Modified 2014-02-11	Ytjämnhet/Roughness Ra	Ytbehandling/Surface treatment µm
Övrigt uttryck/ISO 2768-mK 0,5-6 ±0,1 Höjlsradier ±0,2 Filer radii ±0,2 Kantlar brutna ±0,5 Kantlar brutna ±0,8 Eckes brutna	Skala/Scale 1:1	Blad/Sheet 2(7)	Rev A3
	ÄRNO.	Ritning/Drawing No. T128116	
Basic dimensions Ax5 f=7,5 mm to f=100 mm			



Basic dimensions:
 Camera with focal length
 f=25 mm IR lens.
 Only dimensions valid for
 this IR lens.
 For all other dimensions see pages
 1 and 2.



Konstr/Drawn P. MARCUS		Datum/Date 2014-01-29	Kontr/Check MABR	Material -
Ändrad av/Modified by P. MARCUS		Ändrad/Modified 2014-02-11	Ytjämnhet/Roughness Ra	Ytbehandling/Surface treatment µm
Gen till ISO 2768-mK Utdrag utifrån/except from ISO 2768-m		Benämning/Denomination Basic dimensions Ax5 f=7,5 mm to f=100 mm		
0,5-6 0,7-30 0,1-100 1,20-400 400-1000 ±0,1 Hållarsradier ±0,2 Filtradii ±0,5 Kanter brutna ±0,8 Edgess broken		Skala/Scale 1:1		
FLIR SYSTEMS AB		Blad/Sheet 3(7)		
FLIR SYSTEMS AB		Rev A3		
FLIR SYSTEMS AB		Ritning/Drawing No. T128116		



Blad/Sheet
3(7)

Rev
A3

Ritning/Drawing No.
T128116

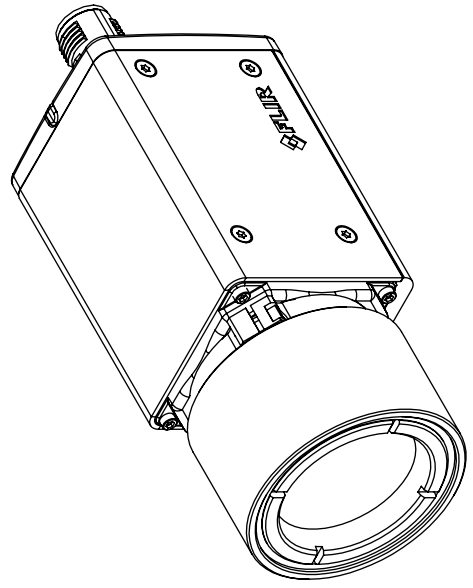
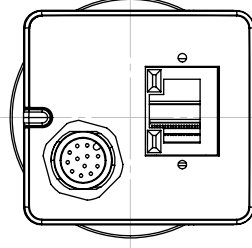
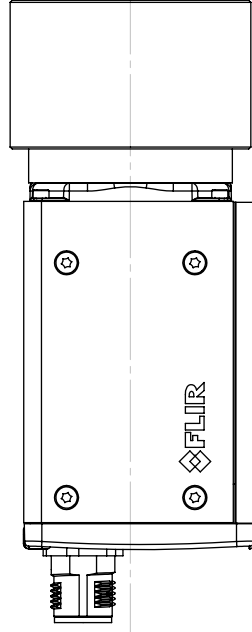
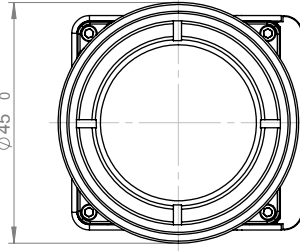
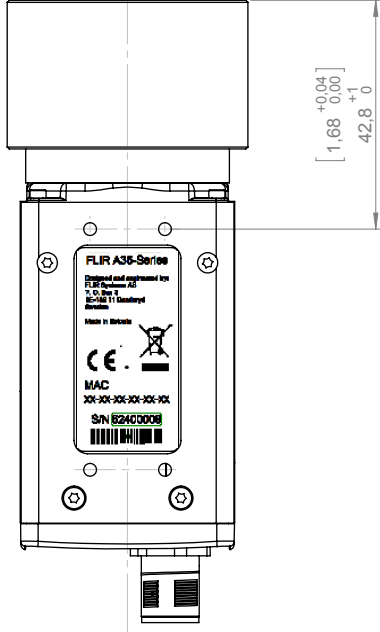
Skala/Scale
1:1

Rev
A3

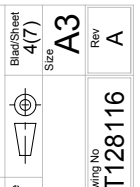
Ritning/Drawing No.
T128116

Basic dimensions Ax5
f=7,5 mm to f=100 mm

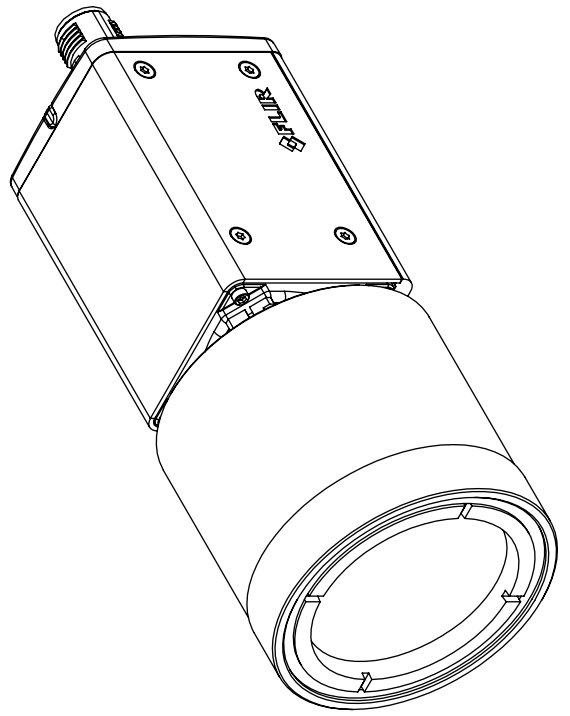
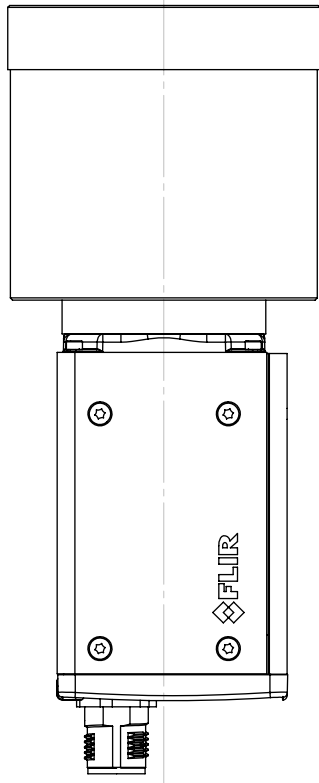
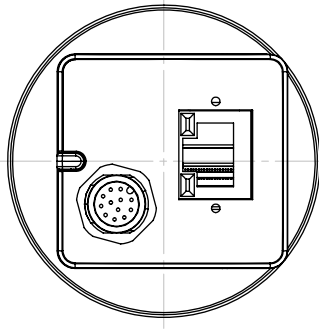
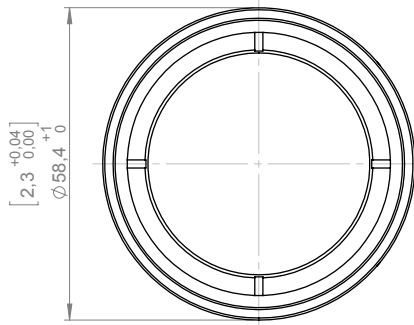
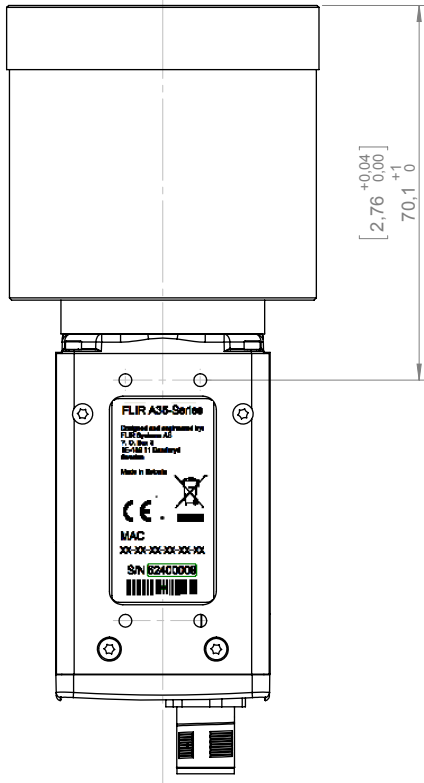
Basic dimensions:
 Camera with focal length
 f=35 mm IR lens.
 Only dimensions valid for
 this IR lens.
 For all other dimensions see pages
 1 and 2.



Konstr/Drawn P. MARCUS		Datum/Date 2014-01-29	Kontr/Check MABR	Material -
Ändrad av/Modified by P. MARCUS		Ändrad/Modified 2014-02-11	Ytjämnhet/Roughness Ra	Ytbehandling/Surface treatment µm
Övrigt utöver ISO 2768-mK 0.5-6 ±0.1 Hållradier (0)-30 ±0.2 Fillet radii (120)-400 ±0.5 Kanter brutna (400)-1000 ±0.8 Edgese broken		Benämning/Denomination Basic dimensions Ax5 f=7.5 mm to f=100 mm		
Stapel/Scale 1:1		Blad/Sheet 4(7)		Rev A3
Ritning/Drawing No. T128116		Artno.		



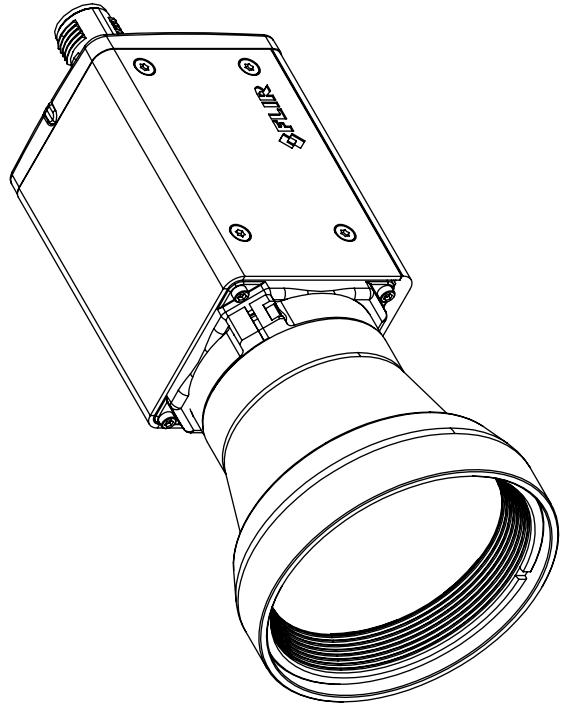
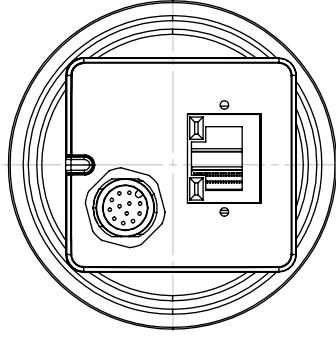
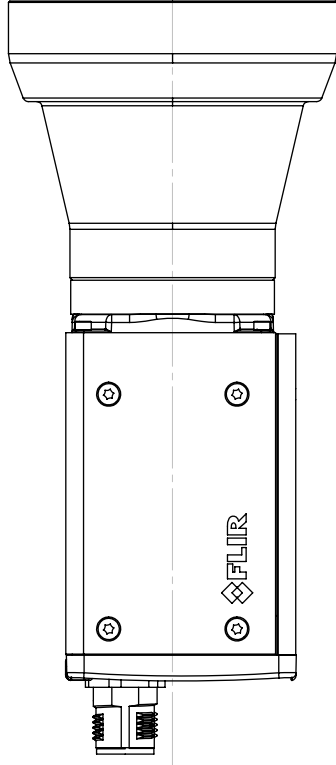
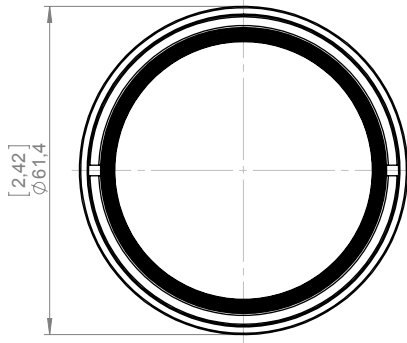
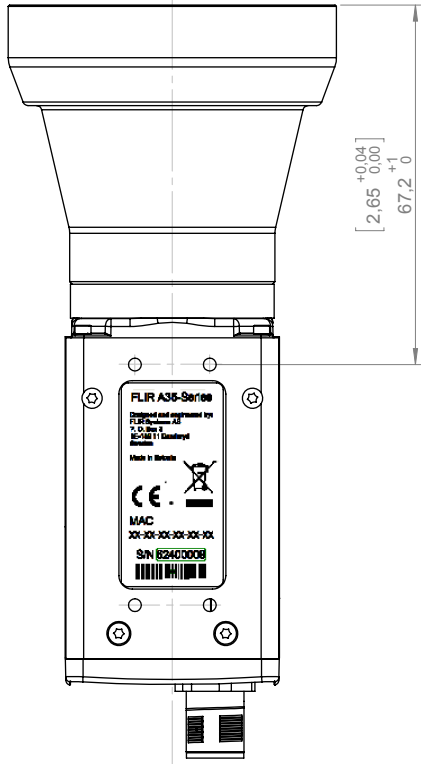
Basic dimensions:
 Camera with focal length
 $f=50$ mm IR lens.
 Only dimensions valid for
 this IR lens.
 For all other dimensions see pages
 1 and 2.



Konstr/Drawn P. MARCUS		Datum/Date 2014-01-29	Kontr/Check MABR	Material -
Ändrad av/Modified by P. MARCUS		Ändrad/Modified 2014-02-11	Ytjämnhet/Roughness Ra	Ytbehandling/Surface treatment µm
Ön till ISO 2768-mK Utdrag utifrån/except from ISO 2768-m		Benämning/Denomination Basic dimensions Ax5 f=7,5 mm to f=100 mm		
0,5-6 0,7-30 0,2 (120)-400 (400)-1000		+0,1 Hållarsradier +0,2 Filter radii ±0,5 Kanter brutna ±0,8 Edgess broken		
Stapel/Scale 1:1		Blad/Sheet 5(7)		Rev A3
Artno.		Ritning/Drawing No. T128116		A



Basic dimensions:
 Camera with focal length
 f=60 mm IR lens.
 Only dimensions valid for
 this IR lens.
 For all other dimensions see pages
 1 and 2.



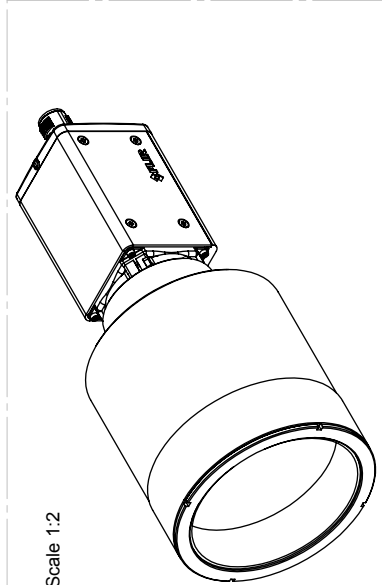
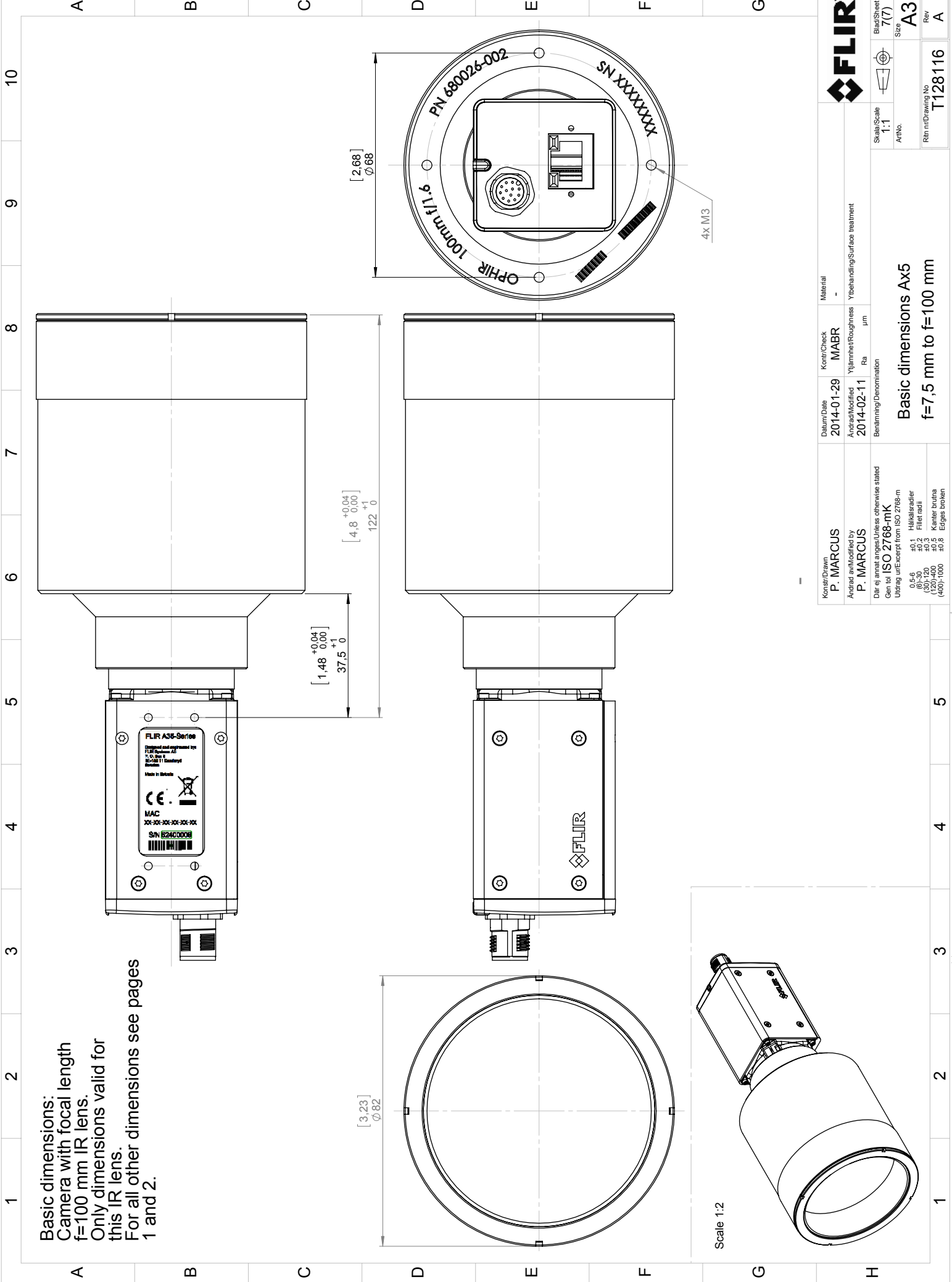
This document must not be communicated or copied completely or in part, without our permission. FLIR SYSTEMS AB

Denna handling får ej delas annan, kopieras i sin helhet eller delar utan vårt medgivande. Övertagelse härav beivras med stöd av gällande lag. FLIR SYSTEMS AB

Konstr/Drawn P. MARCUS	Datum/Date 2014-01-29	Kontr/Check MABR	Material -
Ändrad av/Modified by P. MARCUS	Ändrad/Modified 2014-02-11	Ytjämnhet/Roughness Ra	Ytbehandling/Surface treatment µm
Benämning/Denomination Basic dimensions Ax5 f=7.5 mm to f=100 mm	Där ej annat anges/Unless otherwise stated		
Utdrag ur/Excerpt from ISO 2768-m	0.5-6 ±0.1 Hållradier 6.3-30 ±0.2 Fillet radii 120-400 ±0.5 Kanter brutna 400-1000 ±0.8 Edges broken		
Scale/Scale 1:1	Blad/Sheet 6(7)	SECS A3	Rev A
Artno. T128116	Rin nr/Drawing No. T128116		



Basic dimensions:
 Camera with focal length
 f=100 mm IR lens.
 Only dimensions valid for
 this IR lens.
 For all other dimensions see pages
 1 and 2.



FLIR		Blad/Sheet 7(7)		Siz A3	
Konstr/Drawn P. MARCUS		Datum/Date 2014-01-29		Material -	
Ändrad av/Modified by P. MARCUS		Kontr/Check MABR		Ytbehandling/Surface treatment	
Gen tel ISO 2768-mK Utdrag ur/Excerpt from ISO 2768-m		Ändrad/Modified 2014-02-11		Ytämne/Roughness Ra	
0.5-6 0.1-30 0.2-400 0.5-1000		Benämning/Denomination -		Skala/Scale 1:1	
+0.1 Hållarsradier +0.2 Filler radii +0.5 Kanter brutna +0.8 Edges broken		-		AritNo. T128116	
Basic dimensions Ax5 f=7.5 mm to f=100 mm		-		Rev A	

CE Declaration of Conformity

This is to certify that the System listed below have been designed and manufactured to meet the requirements, as applicable, of the following EU-Directives and corresponding harmonising standards. The systems consequently meet the requirements for the CE-mark.

Directives:

Directive 2004/108/EC; **Electromagnetic Compatibility**
Directive 2006/95/EC; **“Low voltage Directive” (Power Supply)**
Directive 2002/96/EC **Waste electrical and electronic equipment; WEEE**
(As applicable)

Standards:


Emission: **EN 61000-6-3; Electromagnetic Compatibility**
Generic standards - Emission

Immunity: **EN 61000-6-2; Electromagnetic Compatibility;**
Generic standards - Immunity

Safety (Power Supply): **EN 60950; (or other) Safety of information technology**
equipment

System: **FLIR AXX series**

FLIR Systems AB
Quality Assurance



Björn Svensson
Director